

# 8575 Offset Timber Entrance Pull Handles



## Advantages at a glance

- 316 Marine Grade Stainless Steel
- Designed with your project's needs in mind
- High durability with concealed fixings
- Standard finishes: SSS and PSS
- Powdercoat and custom finishes available on request



AS1428 Compliant

dormakaba's Offset Timber Entrance Pull Handles crafted with precision and excellence in mind, these handles are designed to elevate your space with their superior quality and attention to detail.

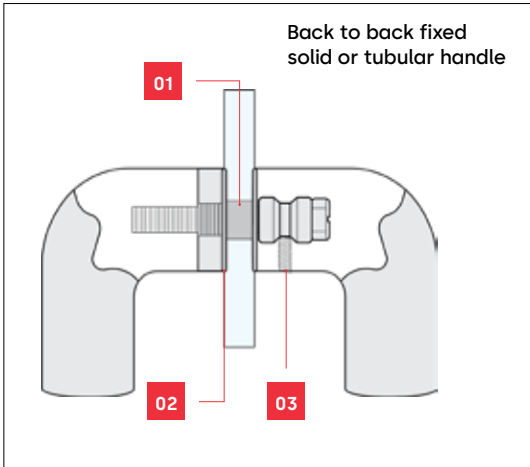
Crafted from durable 316 Marine Grade Stainless Steel complemented by timber sections, our handles offer a natural, warm feel and effortless usability. Upholding dormakaba's dedication to sustainability, the timber utilized in our entrance handles is responsibly sourced Victorian Ash certified by FSC. Furthermore, all metals employed can be recycled at the conclusion of the product's lifespan, aligning with our commitment to environmental stewardship.

The 8575 entrance pull handles are ideal for a variety of settings, from residential to commercial, these handles are versatile enough to be installed on glass, timber, and aluminium doors.

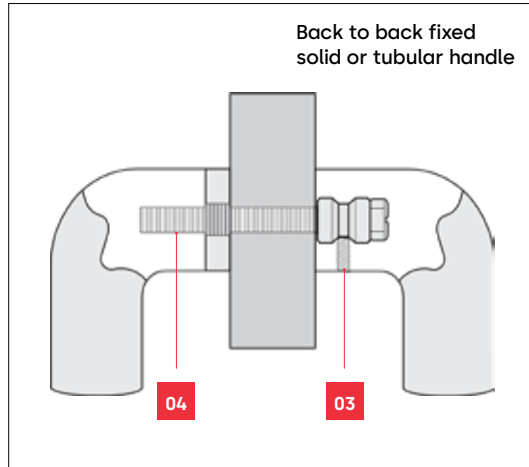
## Refer to ordering details for a range of optional accessories to suit:

- Back to back extended fixing for timber doors
- Back to back fixing for glass doors
- Disc fixing for timber doors
- Disc fixing for glass doors
- Concealed fixing for timber doors

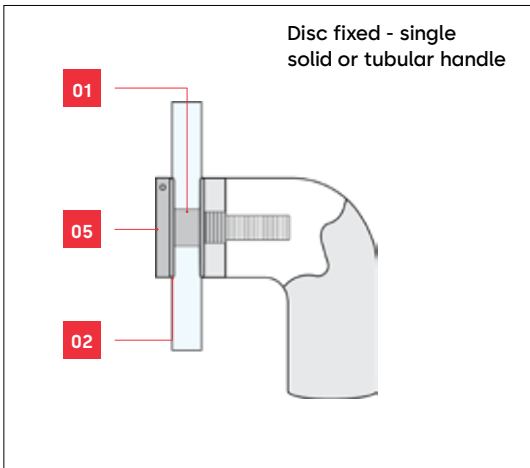
# Fixing options



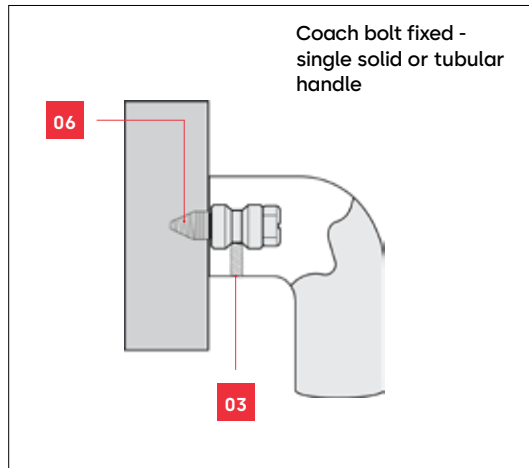
**GD FIX** - glass doors



**TM FIX** - timber or metal doors



**D FIX** - glass, metal or timber doors



**C FIX** - timber doors only

**Note**

Nylon spacers and washers are included with handle for glass door fixing option.

**Legend**

- 01 Spacer
- 02 Washer
- 03 Grub Screw
- 04 Bolt
- 05 Disc
- 06 Coach Bolt

**TIMBER DOOR FIXING**

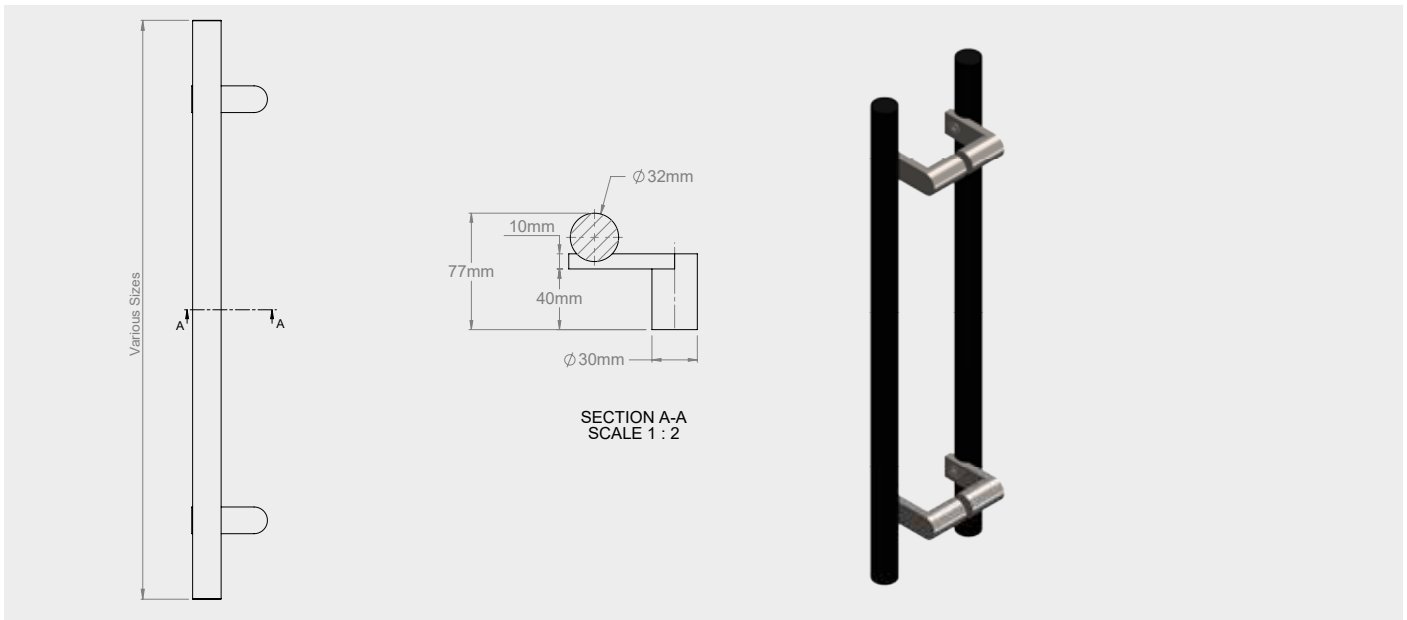
Material Size	Bolt Size
14mm Ø	5mm
16mm Ø	5mm
19mm Ø	8mm
25mm Ø	8mm
32mm Ø	8mm

**METAL DOOR FIXING**

Material Size	Bolt Size
14mm Ø	5mm
16mm Ø	5mm
19mm Ø	8mm
25mm Ø	8mm
32mm Ø	8mm

**GLASS DOOR FIXING**

Material Size	Bolt Size
14mm Ø	12mm Ø
16mm Ø	12mm Ø
19mm Ø	12mm Ø
25mm Ø	12mm Ø
32mm Ø	12mm Ø



8575 Offset Timber dimensions

# Ordering details

Item	Article Number	Description	Diameter	Projection	Overall Length	Fixing Centres
<b>BACK TO BACK FIXING</b>						
B8575/S/32/SSS	9458573895151	B8575/S/32 OA 600 CTC 440 SSS	32mm	77mm	600	440
B8575/S/32/PSS	9458573895152	B8575/S/32 OA 600 CTC 440 PSS	32mm	77mm	600	440
B8575/S/32 SF	9400000016500	B8575/S/32 OA 600 CTC 440 SF	32mm	77mm	600	440
B8575/O/32/SSS	9458576085151	B8575/O/32 OA 1000 CTC 840 SSS	32mm	77mm	1000	840
B8575/O/32/PSS	9458576085152	B8575/O/32 OA 1000 CTC 840 PSS	32mm	77mm	1000	840
B8575/O/32 SF	9400000016499	B8575/O/32 OA 1000 CTC 840 SF	32mm	77mm	1000	840
B8575/M/32/SSS	9458576895151	B8575/M/32 OA 1200 CTC 1040 SSS	32mm	77mm	1200	1040
B8575/M/32/PSS	9458576895152	B8575/M/32 OA 1200 CTC 1040 PSS	32mm	77mm	1200	1040
B8575/M/32 SF	9400000016498	B8575/M/32 OA 1200 CTC 1040 SF	32mm	77mm	1200	1040
D8575/S/32/SSS	9458573895351	D8575/S/32 OA 600 CTC 440 SSS	32mm	77mm	600	440
D8575/S/32/PSS	9458573895352	D8575/S/32 OA 600 CTC 440 PSS	32mm	77mm	600	440
D8575/S/32 SF	9400000016549	D8575/S/32 OA 600 CTC 440 SF	32mm	77mm	600	440
D8575/O/32/SSS	9458576085351	D8575/O/32 OA 1000 CTC 840 SSS	32mm	77mm	1000	840
D8575/O/32/PSS	9458576085352	D8575/O/32 OA 1000 CTC 840 PSS	32mm	77mm	1000	840
D8575/O/32 SF	9400000016548	D8575/O/32 OA 1000 CTC 840 SF	32mm	77mm	1000	840
D8575/M/32/SSS	9458576895351	D8575/M/32 OA 1200 CTC 1040 SSS	<b>32mm</b>	<b>77mm</b>	<b>1200</b>	<b>1040</b>
D8575/M/32/PSS	9458576895352	D8575/M/32 OA 1200 CTC 1040 PSS	<b>32mm</b>	<b>77mm</b>	<b>1200</b>	<b>1040</b>
D8575/M/32 SF	9400000016547	D8575/M/32 OA 1200 CTC 1040 SF	<b>32mm</b>	<b>77mm</b>	<b>1200</b>	<b>1040</b>
C8575/S/32/SSS	9458573895251	C8575/S/32 OA 600 CTC 440 SSS	<b>32mm</b>	<b>77mm</b>	<b>600</b>	<b>440</b>
C8575/S/32/PSS	9458573895252	C8575/S/32 OA 600 CTC 440 PSS	<b>32mm</b>	<b>77mm</b>	<b>600</b>	<b>440</b>
C8575/S/32 SF	9400000016521	C8575/S/32 OA 600 CTC 440 SF	<b>32mm</b>	<b>77mm</b>	<b>600</b>	<b>440</b>
C8575/O/32/SSS	9458576085251	C8575/O/32 OA 1000 CTC 840 SSS	<b>32mm</b>	<b>77mm</b>	<b>1000</b>	<b>840</b>
C8575/O/32/PSS	9458576085252	C8575/O/32 OA 1000 CTC 840 PSS	<b>32mm</b>	<b>77mm</b>	<b>1000</b>	<b>840</b>
C8575/O/32 SF	9400000016520	C8575/O/32 OA 1000 CTC 840 SF	<b>32mm</b>	<b>77mm</b>	<b>1000</b>	<b>840</b>
C8575/M/32/SSS	9458576895251	C8575/M/32 OA 1200 CTC 1040 SSS	<b>32mm</b>	<b>77mm</b>	<b>1200</b>	<b>1040</b>
C8575/M/32/PSS	9458576895252	C8575/M/32 OA 1200 CTC 1040 PSS	<b>32mm</b>	<b>77mm</b>	<b>1200</b>	<b>1040</b>
C8575/M/32 SF	9400000016519	C8575/M/32 OA 1200 CTC 1040 SF	<b>32mm</b>	<b>77mm</b>	<b>1200</b>	<b>1040</b>

# Ordering details

Item	Article Number	Description	Diameter	Projection	Overall Length	Fixing Centres
<b>ACCESSORIES - EXTENDED FIXINGS - sold as a pair</b>						
TM/M8/50	9459508058200	M8/50 FERULE HEAD BOLT TM FIX				
TM/M8/75	9459758078200	M8/75 FERULE HEAD BOLT TM FIX				
TM/M8/90	9400000012887	M8/90 BOLT & 16MM FERULE TM FIX				
TM/M8/100	9400000012888	M8/100 BOLT & 16MM FERULE TM FIX				
TM/M8/110	9459118118200	M8/110 BOLT & 16MM FERULE TM FIX				
TM/M8/120	9459128128200	M8/120 BOLT & 16MM FERULE TM FIX				
TM/M8/130	9459138138200	M8/130 BOLT & 16MM FERULE TM FIX				
TM/M8/150	9459158158200	M8/150 BOLT & 16MM FERULE TM FIX				
<b>ACCESSORIES - GLASS FIXINGS - sold as a pair</b>						
GF32/M8/50 RND	9459503288301	32 DIA RND GLASS FIXING PAIRS				
<b>ACCESSORIES - GLASS FIXINGS - sold as a pair</b>						
GDF32/M8/50 PSS	9459503288102	32MM GLASS DISK FIX PSS PAIR M8X50MM				
GDF32/M8/50 SSS	9459503288101	32MM GLASS DISK FIX SSS PAIR M8X50MM				

**Note:** When ordering extended fixings please use the below formula.

Door thickness + 20mm for the Ferule  
+ 10mm in to the other handle  
= round up to the nearest size offered.

• For single sided internal fixing, a disc fixing kit is required.

**Any questions? We would be happy to advise you.**